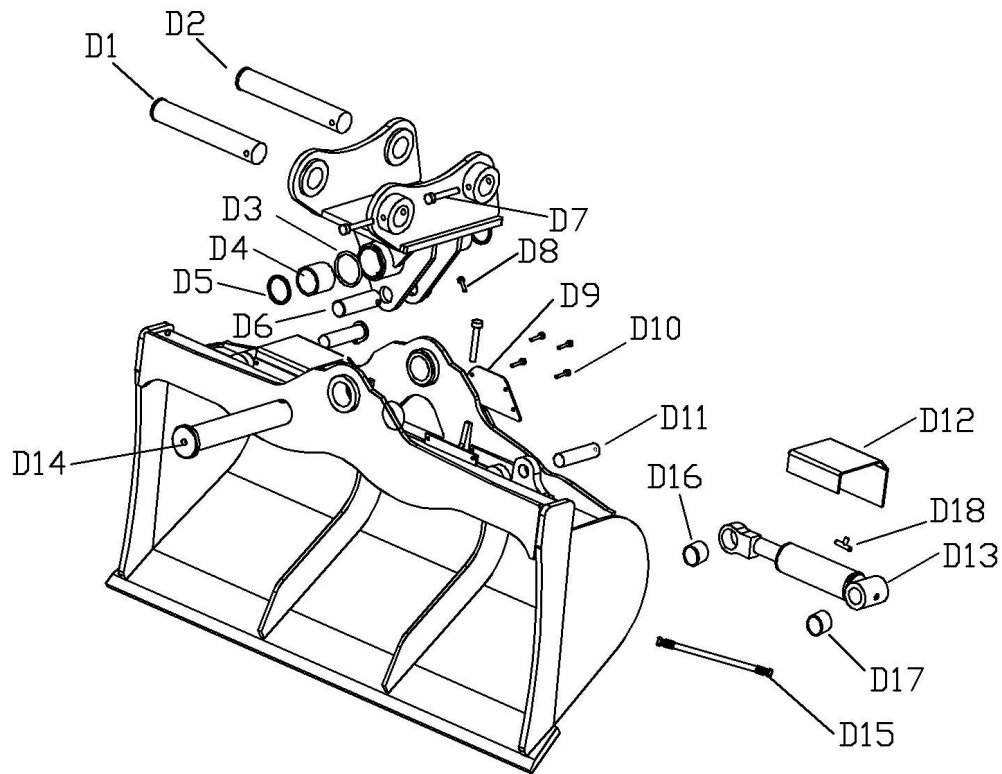


Tilt Bucket Parts List(20 ton excavator,for reference)



ITEM	Part NO.	Parts name	Specification (mm)	QTY(pcs)	Mark
D1		Ear Pin	Φ80X498	1	
D2		Ear Pin	Φ80X498	1	
D3		Grease seal(O-ring)		2	Outside
D4	PABTLMPB21235	Main pin Bushing	Φ90XΦ105X90	2	
D5		Dust seal	Φ90XΦ105X8	2	
D6	PABTLCCP210235	Cylinder center pin	Φ60X200	1	
D7		Lock bolt	M18	2	
D8		Lock bolt	M14	1	
D9		Rear cover		1	
D10		Rear Cover Lock bolt	M8X20	4	
D11	PABTLCSP210235	Cylinder side pin	Φ50X237	2	Lock bolt:M12
D12		Cylinder cover		2	Lock bolt:M8X20
D13	BTLTC21235	Cylinder		2	
D14	PABTLMP210235	Main pin	Φ90X540	1	Lock bolt:M20
D15		Hose		2	
D16	PABTLCCB140235	Cylinder Center Bushing	Φ60XΦ75X50	2	
D17	PABTLCSB210235	Cylinder Side Bushing	Φ50XΦ55X40	2	U-bushing
D18		Three way joint		2	All bucket same